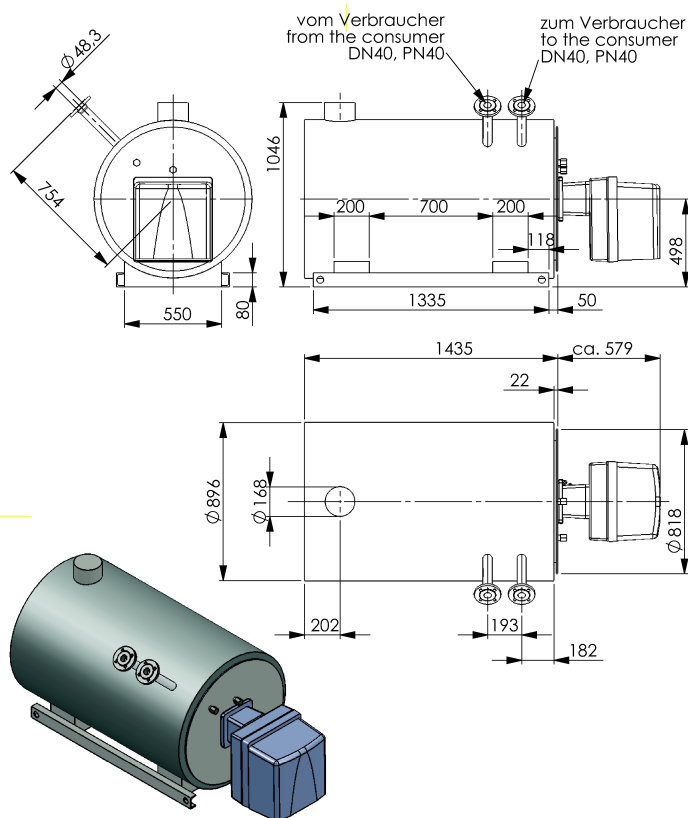


Heater type: TH - 02



| | |
|--|----------------------|
| Nominal capacity | 200kW |
| Thermal fluid content | 79 l |
| Weight without filling | 580 kg |
| Nominal thermal fluid volume flow | 14 m ³ /h |
| Thermal fluid pressure drop | 21 m flc. |
| Design temperature | 300 °C |
| Temperature difference outlet - inlet | 25 K |
| Heating surface | 8,3 m ² |
| Insulation thickness | 120mm |
| Recommended pump size @ 15mflc remaining height to provide consumers | 32-200 |
| Recommended motor power | 4,0kW |

| | LFO firing | Natural Gas firing |
|---------------------------------|------------------------|--------------------------|
| Thermal efficiency: | 86,23 % | 85,55 % |
| Fuel consumption: | 19,65 kg/h | 23,33 Nm ³ /h |
| Furnace pressure drop: | 337 Pa | 355 Pa |
| Combustion air consumption: | 260 Nm ³ /h | 252 Nm ³ /h |
| Exhaust gas outlet volume flow: | 278 Nm ³ /h | 278 Nm ³ /h |
| Exhaust gas outlet temperature: | 316 °C | 319 °C |
| Specific furnace load: | 1784 kW/m ³ | 1803 kW/m ³ |

Company Domicile: 68789 St.Leon-Rot, Opelstrasse 27
Bank Details: Volksbank Wiesloch, BLZ 67292200, Kto. 28993706
VAT-No.: DE263474746

General Manager: Holger Dudda, Thomas Bures
Register Court: Mannheim, HRB 705828
BIC: GENODE61WIE IBAN: DE08672922000028993706