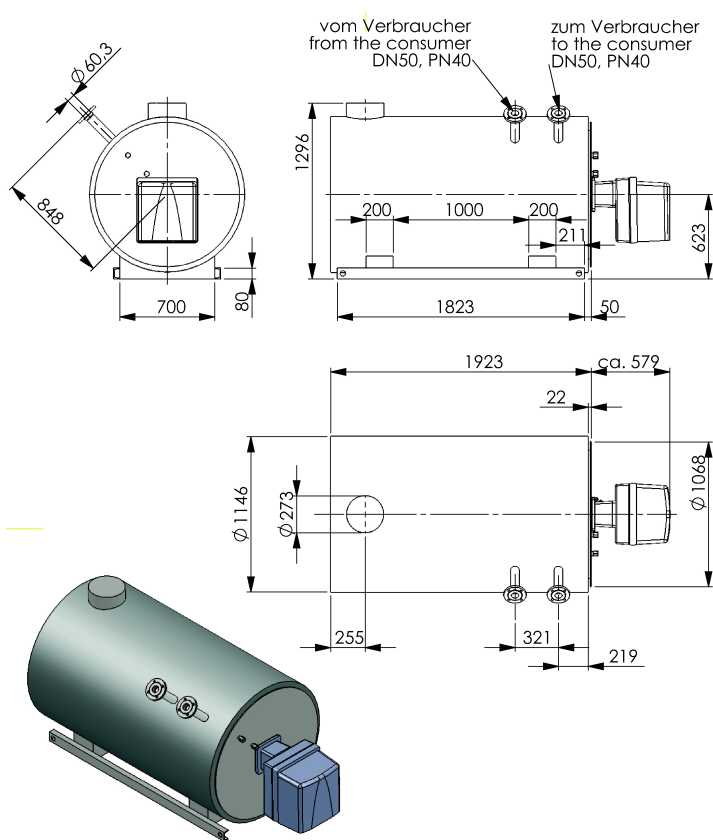


Heater type: TH - 04



| | |
|--|----------------------|
| Nominal capacity | 400kW |
| Thermal fluid content | 203 l |
| Weight without filling | 1060 kg |
| Nominal thermal fluid volume flow | 28 m ³ /h |
| Thermal fluid pressure drop | 26 m flc. |
| Design temperature | 300 °C |
| Temperature difference outlet - inlet | 25 K |
| Heating surface | 16,0 m ² |
| Insulation thickness | 120 mm |
| Recommended pump size @ 15mflc remaining height to provide consumers | 40-200 |
| Recommended motor power | 7,5 kW |

| | LFO firing | Natural Gas firing |
|---------------------------------|------------------------|--------------------------|
| Thermal efficiency: | 86,45 % | 85,55 % |
| Fuel consumption: | 39,01 kg/h | 46,76 Nm ³ /h |
| Furnace pressure drop: | 534 Pa | 567 Pa |
| Combustion air consumption: | 520 Nm ³ /h | 503 Nm ³ /h |
| Exhaust gas outlet volume flow: | 552 Nm ³ /h | 555 Nm ³ /h |
| Exhaust gas outlet temperature: | 311 °C | 315 °C |
| Specific furnace load: | 1217 kW/m ³ | 1230 kW/m ³ |