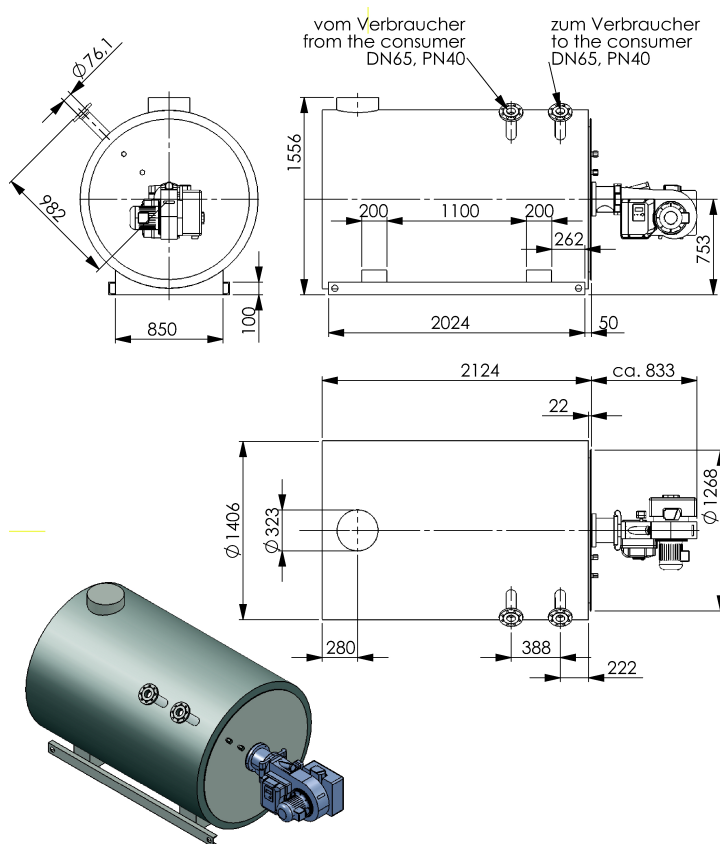


Heater type: TH - 05



Nominal capacity	500kW
Thermal fluid content	326 l
Weight without filling	1560 kg
Nominal thermal fluid volume flow	35 m ³ /h
Thermal fluid pressure drop	25 m flc.
Design temperature	300 °C
Temperature difference outlet - inlet	25 K
Heating surface	22,1 m ²
Insulation thickness	150 mm
Recommended pump size @ 15mflc remaining height to provide consumers	40-200
Recommended motor power	7,5 kW

	LFO firing	Natural Gas firing
Thermal efficiency:	86,67 %	85,80 %
Fuel consumption:	48,64 kg/h	58,28 Nm ³ /h
Furnace pressure drop:	575 Pa	608 Pa
Combustion air consumption:	649 Nm ³ /h	627 Nm ³ /h
Exhaust gas outlet volume flow:	688 Nm ³ /h	691 Nm ³ /h
Exhaust gas outlet temperature:	307 °C	310 °C
Specific furnace load:	836 kW/m ³	845 kW/m ³

Company Domicile: 68789 St.Leon-Rot, Opelstrasse 27
 Bank Details: Volksbank Wiesloch, BLZ 67292200, Kto. 28993706
 VAT-No.: DE263474746

General Manager: Holger Dudda, Thomas Bures
 Register Court: Mannheim, HRB 705828
 BIC: GENODE61WIE IBAN: DE08672922000028993706