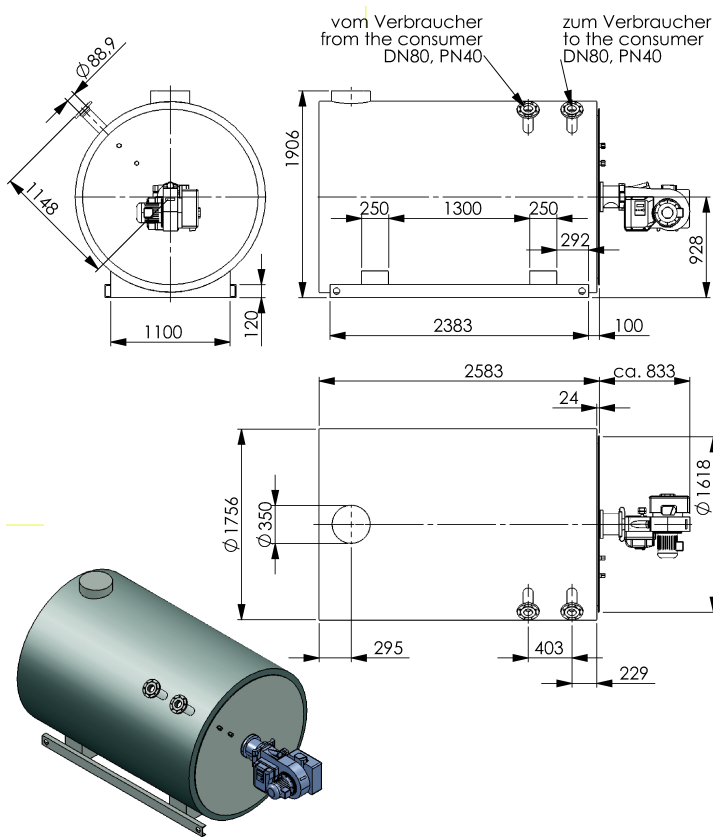


Heater type: **TH - 08**



Nominal capacity	800kW
Thermal fluid content	721 l
Weight without filling	2770 kg
Nominal thermal fluid volume flow	56 m ³ /h
Thermal fluid pressure drop	28 m flc.
Design temperature	300 °C
Temperature difference outlet - inlet	25 K
Heating surface	38,33 m ²
Insulation thickness	150 mm
Recommended pump size @ 15mflc remaining height to provide consumers	50-200
Recommended motor power	11 kW

	LFO firing	Natural Gas firing
Thermal efficiency:	86,80 %	85,95 %
Fuel consumption:	77,71 kg/h	93,08 Nm ³ /h
Furnace pressure drop:	595 Pa	630 Pa
Combustion air consumption:	1036 Nm ³ /h	1002 Nm ³ /h
Exhaust gas outlet volume flow:	1100 Nm ³ /h	1104 Nm ³ /h
Exhaust gas outlet temperature:	304 °C	307 °C
Specific furnace load:	565 kW/m ³	571 kW/m ³