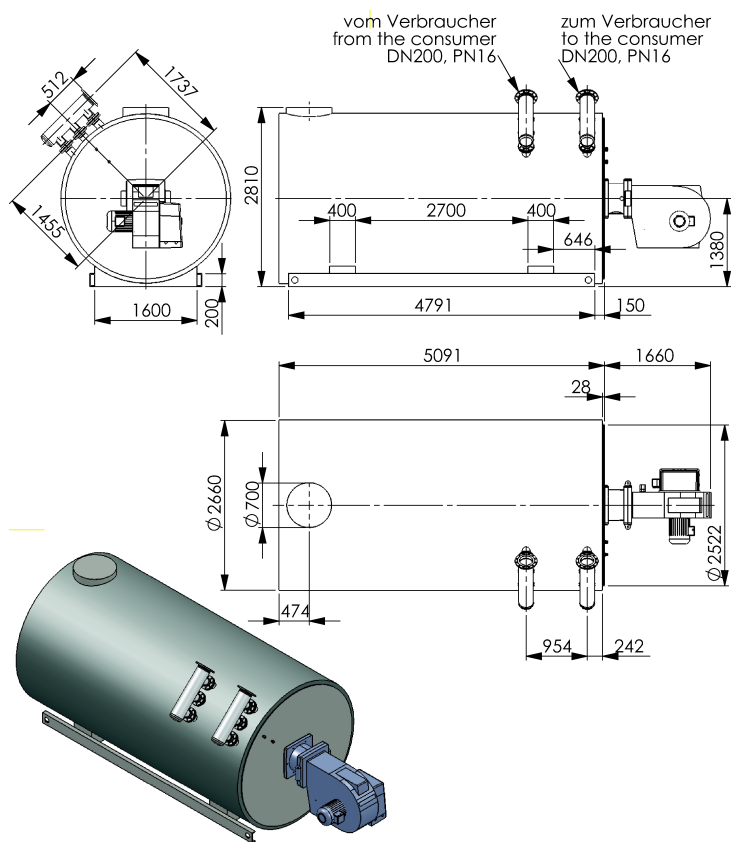


Heater type: TH - 40



Nominal capacity	4000 kW
Thermal fluid content	3259 l
Weight without filling	10300 kg
Nominal thermal fluid volume flow	281 m ³ /h
Thermal fluid pressure drop	28 m flc.
Design temperature	300 °C
Temperature difference outlet - inlet	25 K
Heating surface	136,20 m ²
Insulation thickness	150 mm
Recommended pump size @ 15mflc remaining height to provide consumers	100-250
Recommended motor power	55 kW

	LFO firing	Natural Gas firing
Thermal efficiency:	86,13 %	85,21 %
Fuel consumption:	391,56 kg/h	469,43 Nm ³ /h
Furnace pressure drop:	1232 Pa	1295 Pa
Combustion air consumption:	5223 Nm ³ /h	5054 Nm ³ /h
Exhaust gas outlet volume flow:	5542 Nm ³ /h	5569 Nm ³ /h
Exhaust gas outlet temperature:	318 °C	322 °C
Specific furnace load:	432 kW/m ³	436 kW/m ³